



bravomax/A

Bravomax Automatic Filter can be supplied standard in 2 versions:

**BRAVOMAX AUTOMATIC FILTER** is supplied with an electronically incorporated selectable program along with an automatic Hydraulic Differential Sensor. As default from factory works, the filter is supplied having a 2 cycle back washing program set at every 12 hours. This type of settings is ideal for an installation upstream to protect other equipments were possible suspended matter may be present.

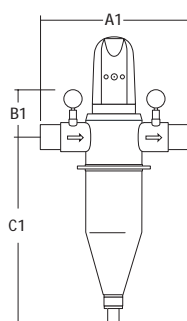
**BRAVOMAX AUTOMATIC FILTER SERIES "EV"** is supplied

with an electronically incorporated selectable program along with an automatic Hydraulic Differential Sensor set to function 6 back wash cycles while at the same time activating the discharge valve automatically. These models permit a high dirt loading capacity in respect to the models without elettrovalvola. It needs to be understood that these filters are not capable of filtering high quantities of dirt that might be present in the water. It would clog the filter continuously. For a correct use, installation and long service life, an electrovalve must be installed down stream to interrupt the water flow when the back washing cycle is in function.

#### TECHNICAL FEATURES

FITTINGS		1"1/2M	2"M	2"1/2M	3"M
Recommended flow rate	m3/h	14	20	25	35
Pressure drop	AP	0,2	0,2	0,2	0,2
Water consumption (automatic)		8/10 lt	8/10 lt	8/10 lt	8/10 lt
Micron rating	MICRON	150	150	150	150
Max water pressure		10ATM	10ATM	10ATM	10ATM
Max working temperature		40/60°C	40/60°C	40/60°C	40/60°C
Voltage		220V-18V-50Hz/60VA			

The Bravomax filter is supplied with gauges and attachments: 1"1/2M, 2"M, 2"1/2M, 3"M. Upon request, the following attachments with flanges UNI 2254.



#### MODEL BRAVOMAX® AUTOMATIC

COD	INLET/OUTLET	DIMENSIONS			QUANTITY	VOLUME	
		A1	B1	C1		box	package
A8010290	1"1/2M	325	240	350	1	0,0864	7,2
A8010240	2"M	325	240	350	1	0,0864	7,5
A8010300	2"1/2M	310	250	410	1	0,0864	10
A8010310	3"M	310	250	410	1	0,0864	13

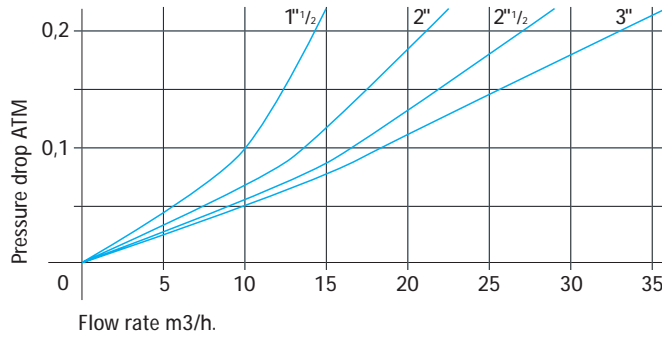
#### MODEL BRAVOMAX® AUTOMATIC VERSION "EV"

COD	INLET/OUTLET	DIMENSIONS			QUANTITY	VOLUME	
		A1	B1	C1		box	package
A8010670	1"1/2M	325	240	350	1	0,0864	7,2
A8010660	2"M	325	240	350	1	0,0864	7,5
A8010740	2"1/2M	310	250	410	1	0,0864	10
A8010750	3"M	310	250	410	1	0,0864	13

SEMI-AUTOMATIC VERSION



bravomax



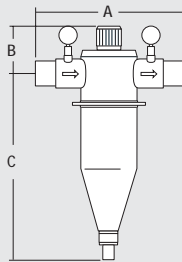
SEMI-AUTOMATIC BRAVOMAX FILTER

This model is equipped with a manual knob that needs to be rotated clockwise to effect the cleaning action. A complete 360° rotation is required to insure a correct cleaning and at the same time discharge of any suspended matter that might be present inside the filter element.

TECHNICAL FEATURES

FITTINGS		1"1/2M	2"M	2"1/2M	3"M
Recommended flow rate	m3/h	14	20	25	35
Pressure drop	AP	0,2 ATM	0,2 ATM	0,2 ATM	0,2 ATM
Water consumption (automatic)	8/10 lt	-	-	-	-
Micron rating		150	150	150	150
Max water pressure		10 ATM	-	-	-
Max working temperature		40/60°C	-	-	-
Voltage		220V-24V-50Hz/10VA			

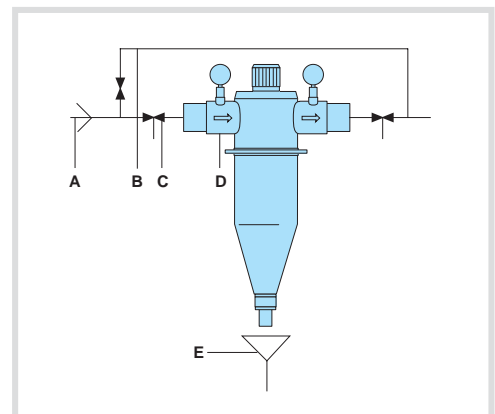
Upon request, the following attachments with flanges UNI 2254.



MODEL BRAVOMAX® SEMI-AUTOMATIC

COD	INLET/OUTLET	DIMENSIONS			QUANTITY	VOLUME	Kg
					package	package	
A8010260	1"1/2M	325	150	350	1	0,0864	5
A8010270	2"M	325	150	350	1	0,0864	5,3
A8010280	2"1/2M	310	150	410	1	0,0864	7,2
A8010250	3"M	310	150	410	1	0,0864	9

INSTALLATION DIAGRAM



- A Water inlet
- B By-pass
- C Cut off valves
- D Filter
- E Discharge